

SEALED DOWNLIGHT INSTALLATION INSTRUCTIONS

Risk of Fire To be installed only by a licensed professional electrician

Risk of Electric Shock: Disconnect power at fuse or circuit breaker before installing or servicing. Always wear protective equipment installing this product including Goggles and gloves.

Mechanical Installation:

(If assembled with Doorframe) Remove doorframe by firmly pulling on one side of door until it moves an inch or so from the plaster flange (PF). Pull remaining sides until they are equal. Continue pulling whole frame until it stops about 4 inches from the PF. Squeeze springs to clear the spring slots and seal doorframe in a plastic bag to prevent dust entrance until final assembly.

Flanged/Drywall Installation: (NEMA type "F" ceilings)

Find center line of fixture location. Install hanger bars in housing and slide hanger bar clips over bars. Four total, two per bar. Locate fixture aperture so that the plaster ring opening is flush vertically with finished ceiling and fixture aperture is located horizontally in the correct location. Please note that the doorframe seal to the ceiling is contingent on the PF being flush or slightly recessed before doorframe installation. Secure hanger bar clips to joists using screws or nails. Tighten screws on hanger bar clips. If the hanger bars are longer than will fit between joists, trim to length. To affix final fixture position, tighten screws on fixture body so that they lock it in place.

Cut drywall ceiling cutout for fixture, matching the plaster frame size carefully (8-3/8" diameter). Do not oversize the hole or gaps will need to be filled. **Ceiling Cutting Notes:**(Doorframe is oversized by only 3/8 inch to allow a tight seal.) *Note: Do not cut ceiling to can size. Spring slots must be kept clear for Doorframe installation.* (Continue with Electrical Installation)

T-Bar Grid (NEMA type "G", "NFG" or "SS" ceilings)

Find center line of fixture location. Install hanger bars in housing and slide hanger bar clips over bars. Four total with two per bar. Cut ceiling panel for fixture, matching the plaster frame size carefully (8-3/8" diameter). Do not oversize the hole. Locate fixture aperture so that the plaster ring opening is flush vertically with finished ceiling and fixture aperture is located horizontally in the correct location. Please note that the doorframe seal to the ceiling is contingent on the PF being flush or slightly recessed above room-side surface of panel before doorframe installation. Secure hanger bar clips to T-bar using screws. Use hanger wires for providing additional seismic support according to local code. Tighten screws on hanger bar clips. To affix final fixture position, tighten screws on fixture body so that they lock it in place.

Panel Cutting Notes: (Doorframe is oversized by only 3/8 inch to allow a tight seal.) *Note: Do not cut ceiling to can size. Spring slots must be kept clear for Doorframe installation.* (Continue with Electrical Installation)

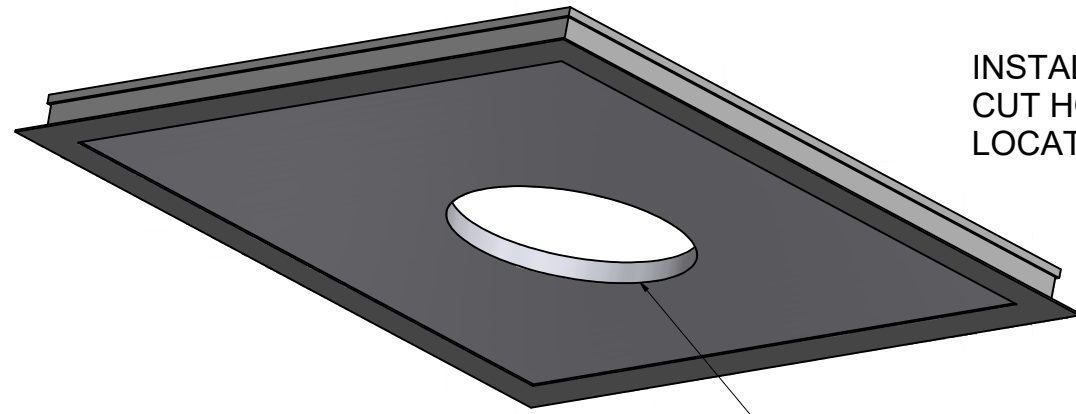
Install Doorframe:

Remove any debris from inside fixture can. This should be dust free before continuing. Remove doorframe from sealed packaging. Secure suction cup opening tool to doorframe lens. Compress two springs, one in each hand and slip ends of springs into slots found inside plaster frame. Release springs just after the cut ends enter slots. Compress remaining third spring and insert it into remaining slot as before. While holding doorframe horizontal, push it into the fixture body until it begins to close on its own.

Caution: *This doorframe is secured with a high pressure seal and therefore may close with high speed and pressure. Keep fingers outside of doorframe perimeter. Use suction cup opening tool for closing to prevent ceiling damage or injury.*

DOWNLIGHT INSTALL FOR GRID

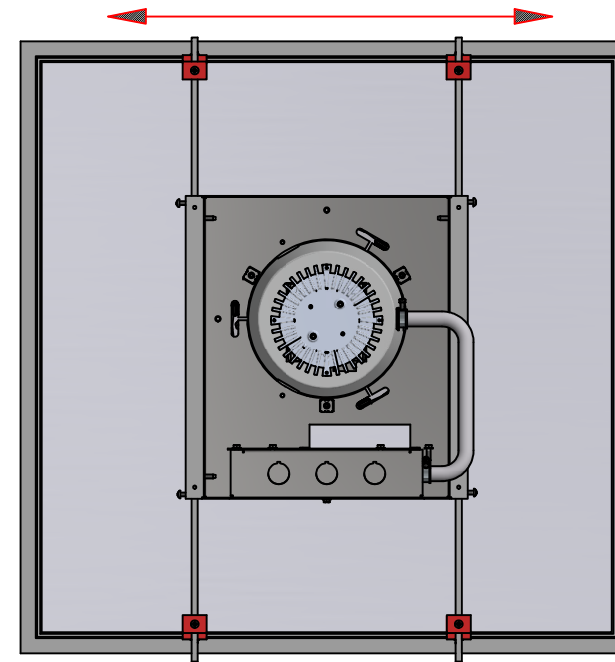
STEP 1: CUT HOLE



INSTALL CEILING PANEL AND CUT HOLE IN THE DESIRED LOCATION.

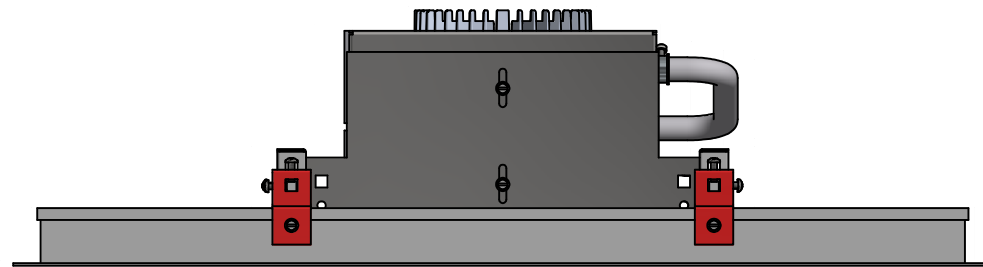
CUT HOLE 8.50" +0.0"
-0.125"

STEP 2: HORIZONTAL ALIGNMENT



ALIGN THE ENTIRE DOWNLIGHT ASSEMBLY IN THE HORIZONTAL DIRECTION BY SLIDING THE GRID BRACKETS ON THE GRID.

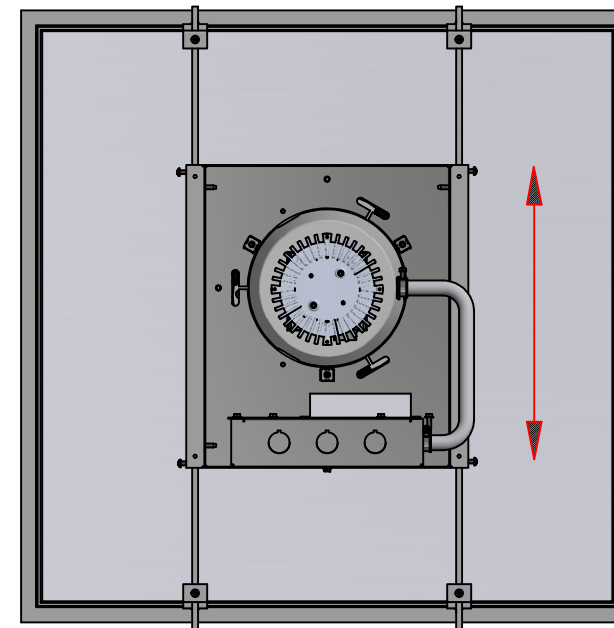
STEP 3: SECURE MOUNTING BRACKETS



MOUNTING BRACKET

#8 TEK SCREW OR SIMILAR (By Others)

STEP 4: VERTICAL ALIGNMENT



ALIGN THE ENTIRE DOWNLIGHT ASSEMBLY IN THE VERTICAL DIRECTION BY LOOSENING THE SET SCREWS (SHOWN IN RED) AND SLIDING THE ASSEMBLY ALONG THE DIRECTIONS OF THE ALUMINUM GUIDE RAILS. ONCE IN PLACE SECURE THE SET SCREWS SO THE ENCLOSURE DOES NOT MOVE.

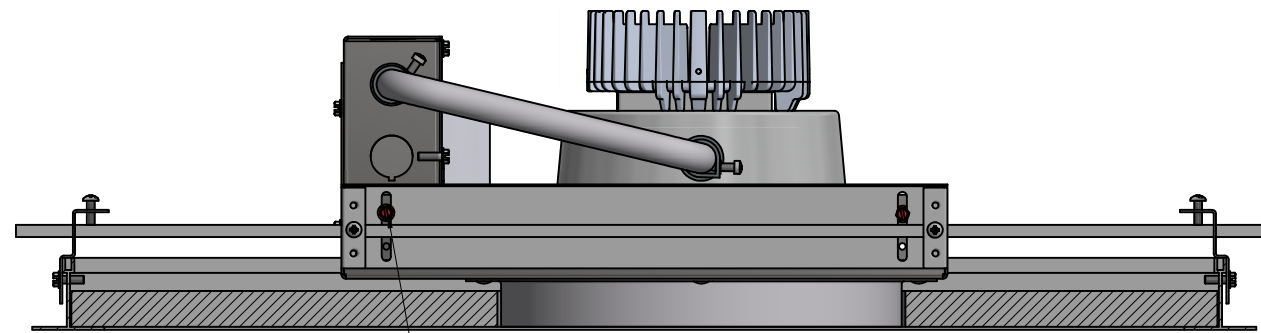
This drawing and all information on it, unless otherwise stated, the property of Kurtzon Lighting. Reproduction or retransmission of the materials, in whole or in part, in any manner, is prohibited without the prior written consent of Kurtzon Lighting.

SCALE: DO NOT SCALE	DESCRIPTION: INSTALLATION DETAILS	PART #: IBD/SBD/PBD DOWNLIGHT
	APPROVED BY:	APPROVED DATE:
	DRAWN BY: REFUGIOR	DATE: 3/26/2020
TOLERANCES: UNITS: INCHES ANGULAR BEND ± 2° ANGULAR MACH ± .5° 0.0 ± .05 0.00 ± .030 0.000 ± .015	MATERIAL: MAKE TO ORDER	KURTZON LIGHTING 1420 S TALMAN AVE CHICAGO, IL 60608 WWW.KURTZON.COM
REV: 0	SHEET: 1	



8 | 7 | 6 | 5 | 4 | 3 | 2 | 1

STEP 5: SET HEIGHT OF DOWNLIGHT:

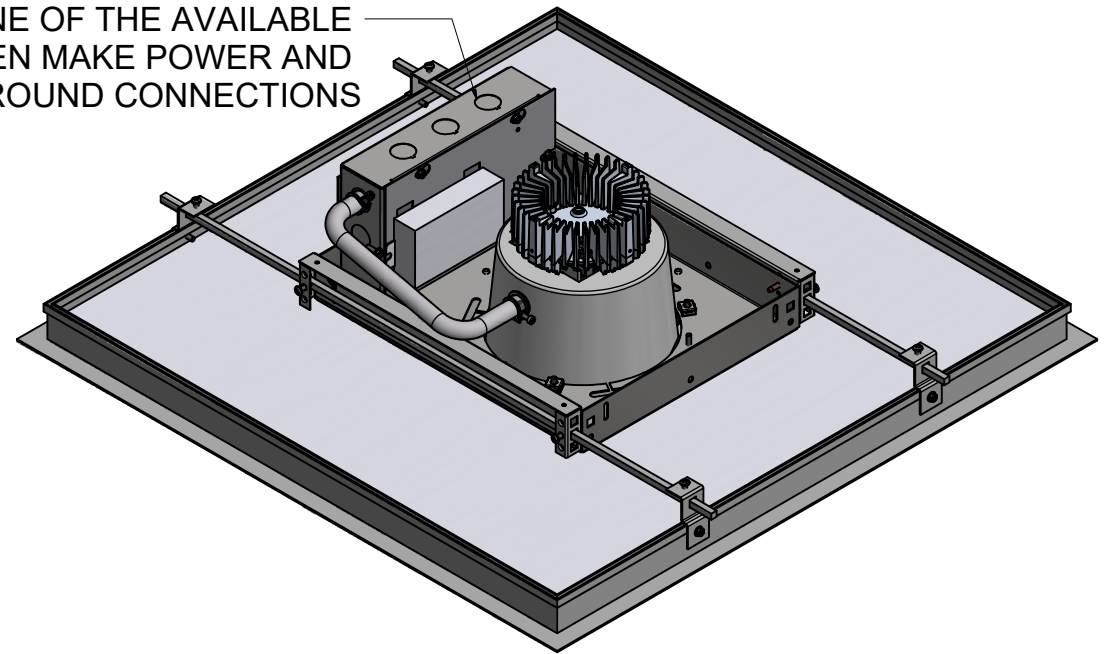


TO ADJUST HEIGHT LOOSEN SCREWS

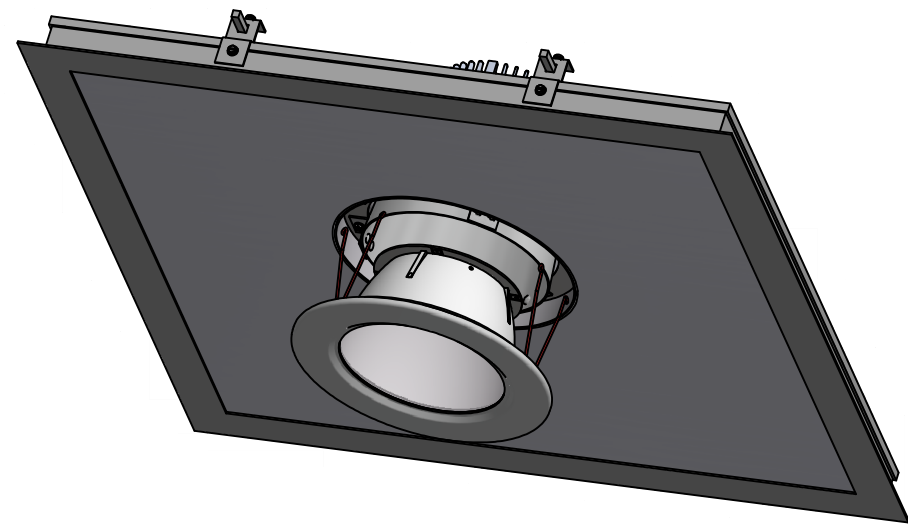
SET HEIGHT SO THAT THE PLASTER FRAME OF THE LIGHT SITS FLUSH OR SLIGHTLY RECESSED INTO THE CEILING OPENING

STEP 6: BRING IN SUPPLY POWER

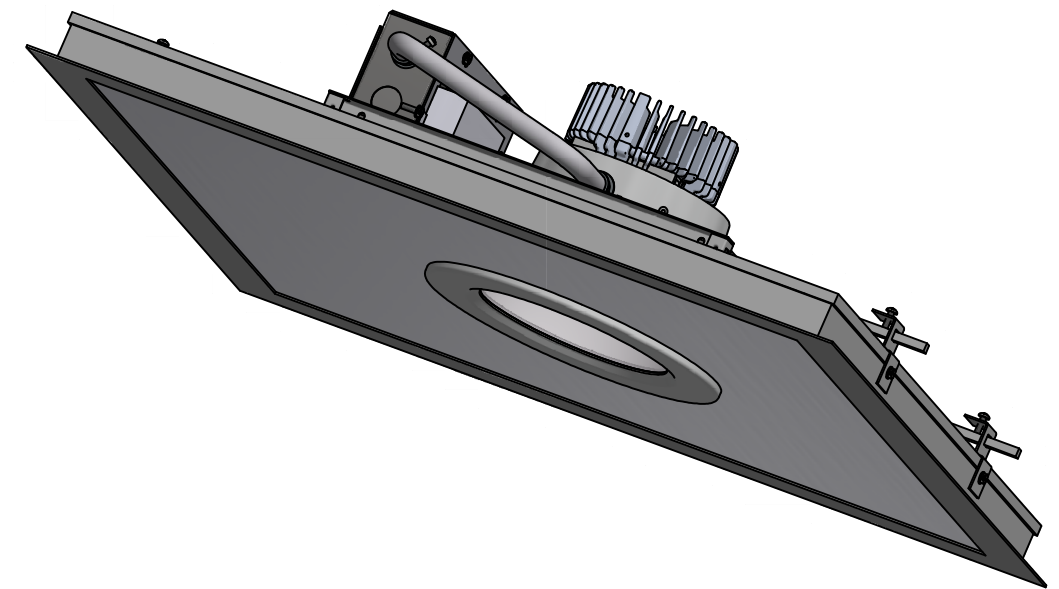
REMOVE ONE OF THE AVAILABLE KNOCKOUTS. THEN MAKE POWER AND GROUND CONNECTIONS



STEP 7: INSTALL DOOR FRAME



FOR LIGHT FIXTURES THAT COME WITH THE SPRING DOOR FRAME (SHOWN), SIMPLY PINCH THE TORSION SPRING AND POSITION INTO THE SLOT ONE AT A TIME. THEN GENTLY PUSH UP ON THE DOOR UNTIL IT PULLS SHUT.



This drawing and all information on it, unless otherwise stated, the property of Kurtzon Lighting. Reproduction or retransmission of the materials, in whole or in part, in any manner, is prohibited without the prior written consent of Kurtzon Lighting.

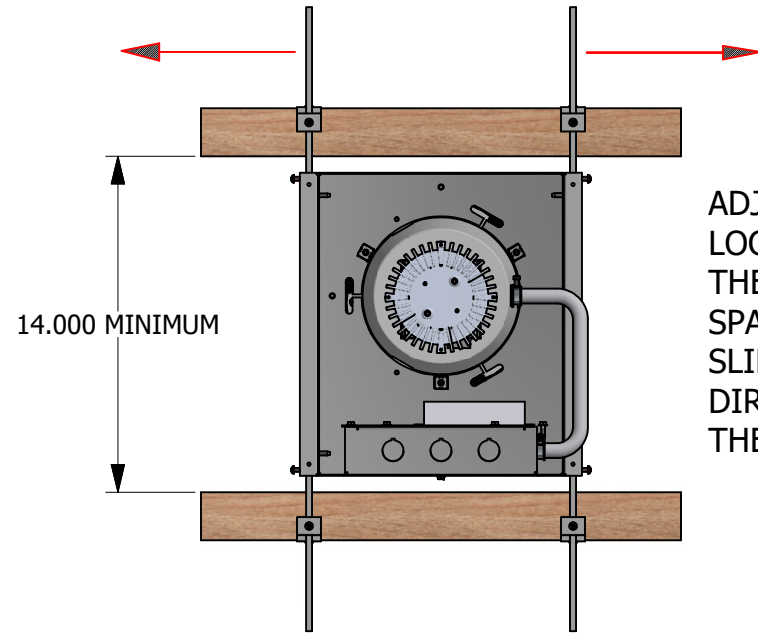
SCALE: DO NOT SCALE	DESCRIPTION: INSTALLATION DETAILS	PART #: IBD/SBD/PBD DOWNLIGHT
	APPROVED BY:	APPROVED DATE:
	DRAWN BY: REFUGIOR	DATE: 3/26/2020
TOLERANCES: UNITS: INCHES ANGULAR BEND ± 2° ANGULAR MACH ± .5° 0.0 ± .05 0.00 ± .030 0.000 ± .015	MATERIAL: MAKE TO ORDER	KURTZON LIGHTING 1420 S TALMAN AVE CHICAGO, IL 60608 WWW.KURTZON.COM
REV: 0	SHEET: 2	

8 | 7 | 6 | 5 | 4 | 3 | 2 | 1

NOTE TO INSTALLER: (FOR DRYWALL CEILING INSTALLATION)
 SINCE THE FIXTURE BODY IS LARGER THAN THE APERTURE AND DOOR FRAME, THE FIXTURE MUST BE INSTALLED PRIOR TO INSTALLING THE DRYWALL CEILING

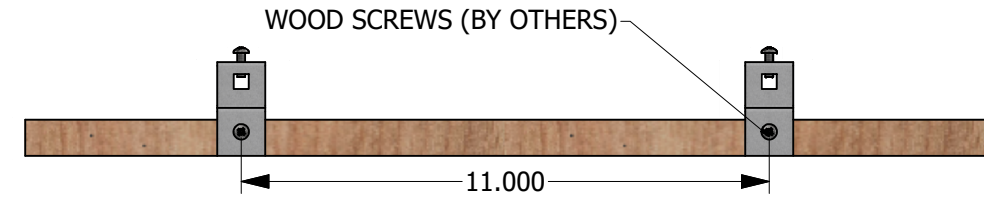
DOWNLIGHT INSTALL FOR HARD-LID

STEP 1: HORIZONTAL ALIGNMENT



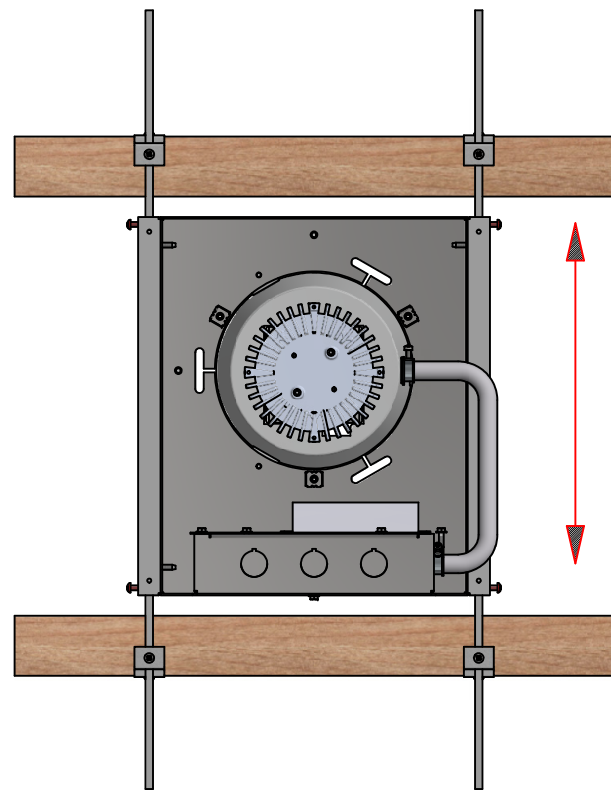
ADJUST THE BRACKETS TO THE CORRECT LOCATION ON THE GUIDE RAILS USING THE SET SCREWS. AFTER BRACKETS ARE SPACED APPROPRIATELY ON THE RAIL SLIDE THE LIGHT IN THE LEFT OR RIGHT DIRECTION UNTIL IT IS POSITIONED IN THE DESIRED LOCATION.

STEP 2: SECURE BRACKETS IN PLACE



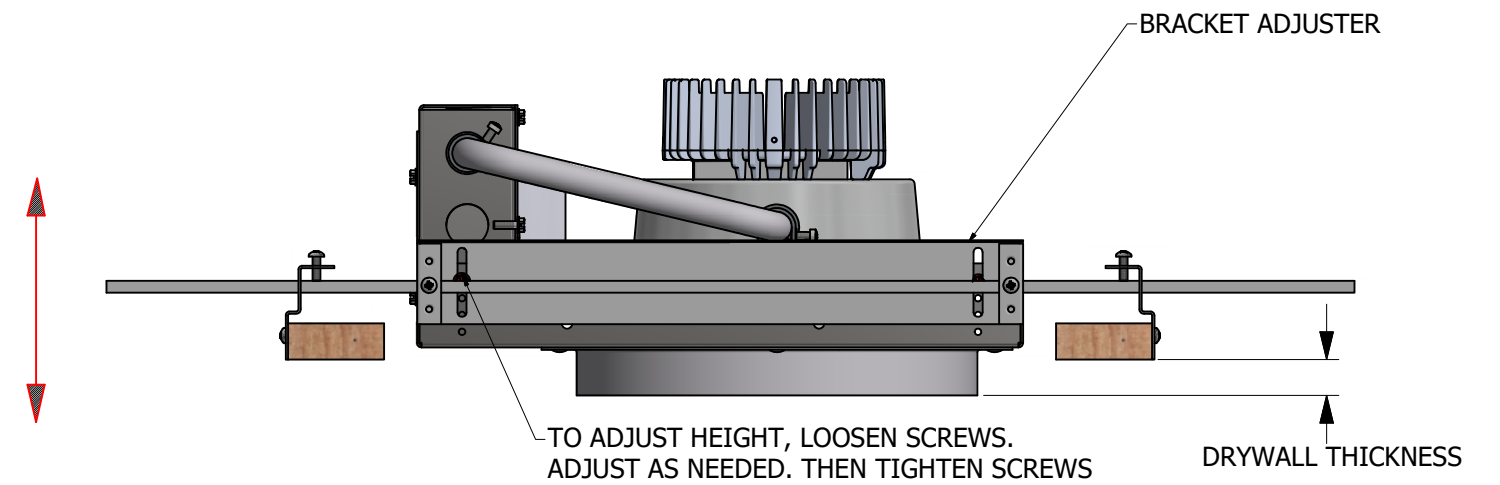
AFTER THE LIGHT FIXTURE IS IN PLACE, MECHANICALLY SECURE THE BRACKETS IN PLACE BY SCREWING INTO THE FRAMING MEMBERS (SCREWS BY OTHERS)

STEP 3: VERTICAL ALIGNMENT



ALIGN THE ENTIRE DOWNLIGHT ASSEMBLY IN THE VERTICAL DIRECTION BY LOOSENING THE SET SCREWS (SHOWN IN RED) AND SLIDING THE ASSEMBLY ALONG THE DIRECTIONS OF THE ALUMINUM GUIDE RAILS. ONCE IN PLACE SECURE THE SET SCREWS SO THE ENCLOSURE DOES NOT MOVE.

STEP 4: SET HEIGHT OF DOWNLIGHT:

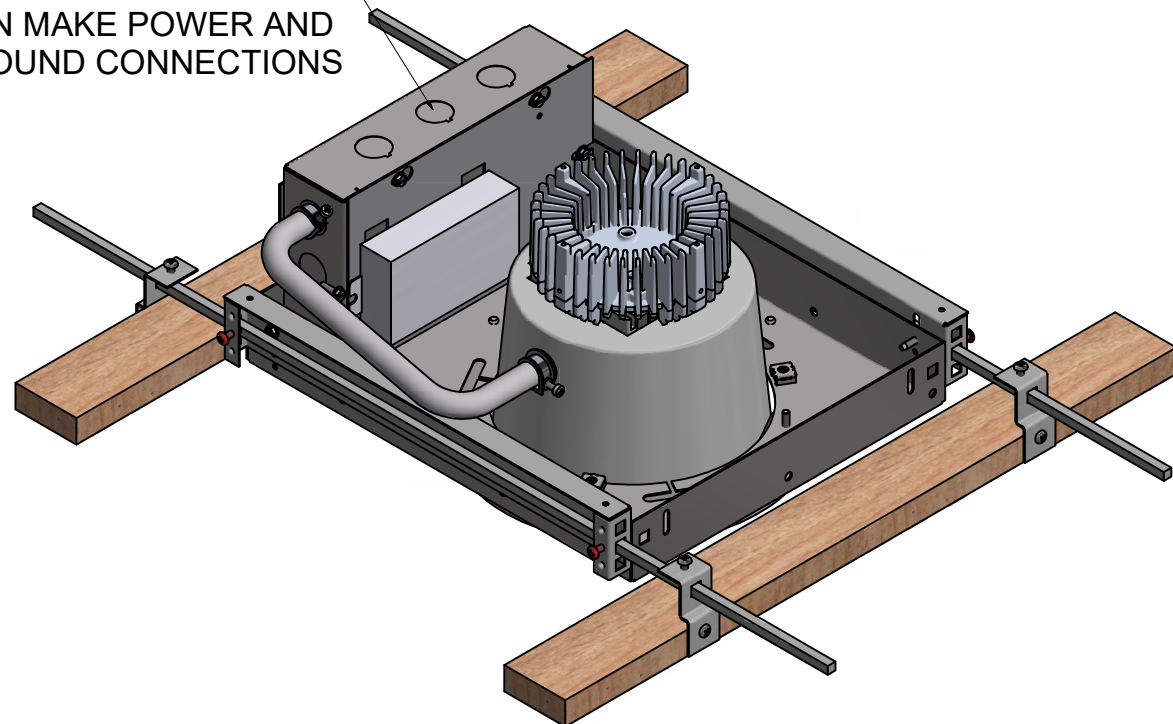


This drawing and all information on it, unless otherwise stated, the property of Kurtzon Lighting. Reproduction or retransmission of the materials, in whole or in part, in any manner, is prohibited without the prior written consent of Kurtzon Lighting.

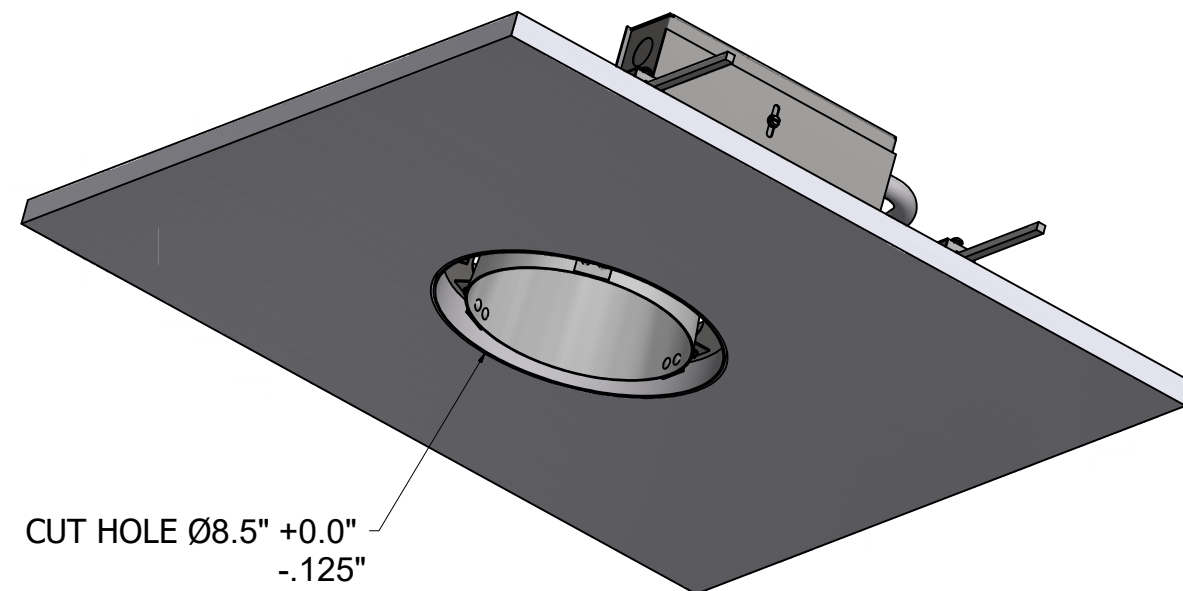
SCALE: DO NOT SCALE	DESCRIPTION: INSTALLATION DETAILS	PART #: IBD/SBD/PBD DOWNLIGHT
TOLERANCES: UNITS: INCHES ANGULAR BEND ± 2° ANGULAR MACH ± .5° 0.0 ± .05 0.00 ± .030 0.000 ± .015	MATERIAL: MAKE TO ORDER	DATE: 3/26/2020
REV: 0	SHEET: 3	DRAWN BY: REFUGIOR
KURTZON LIGHTING 1420 S TALMAN AVE CHICAGO, IL 60608 WWW.KURTZON.COM		

STEP 5: BRING IN SUPPLY POWER

REMOVE ONE OF THE AVAILABLE KNOCKOUTS. THEN MAKE POWER AND GROUND CONNECTIONS

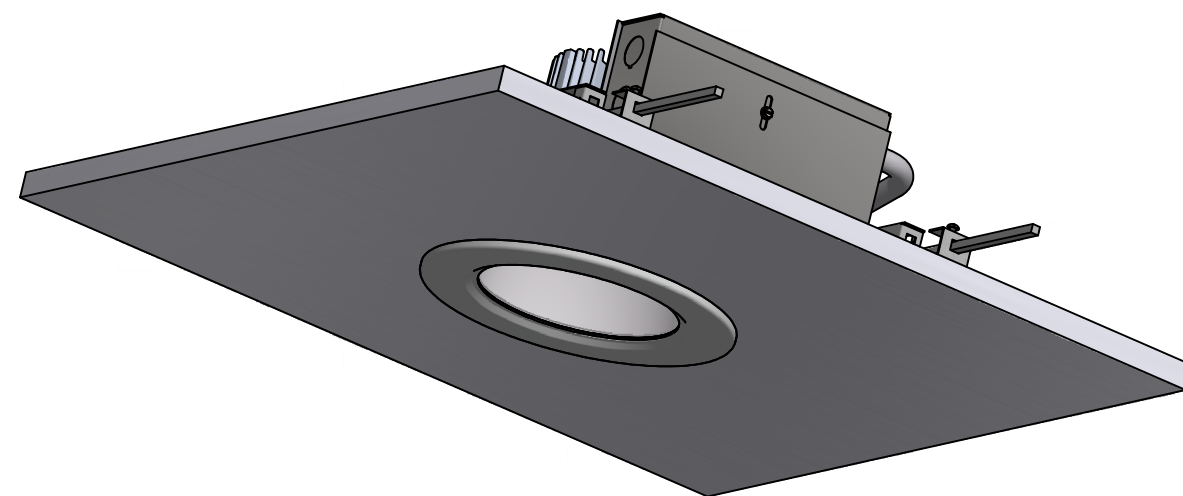
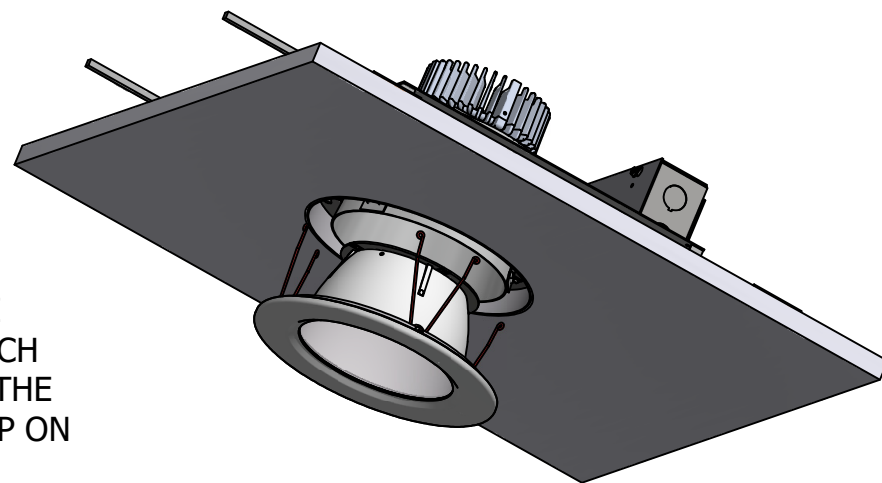


STEP 6: CUT HOLE AND INSTALL DRYWALL



STEP 7: INSTALL DOOR FRAME

FOR LIGHT FIXTURES THAT COME WITH THE SPRING DOOR FRAME (SHOWN), SIMPLY PINCH THE TORSION SPRING AND POSITION INTO THE SLOT ONE AT A TIME. THEN GENTLY PUSH UP ON THE DOOR UNTIL IT PULLS SHUT.

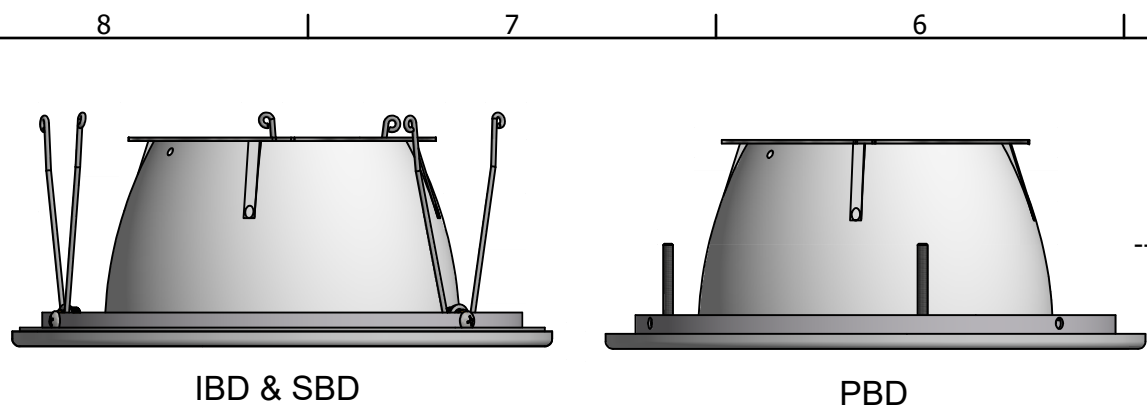


This drawing and all information on it, unless otherwise stated, the property of Kurtzon Lighting. Reproduction or retransmission of the materials, in whole or in part, in any manner, is prohibited without the prior written consent of Kurtzon Lighting.

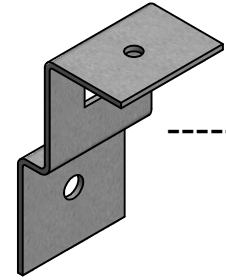
SCALE: DO NOT SCALE	DESCRIPTION: INSTALLATION DETAILS	PART #: IBD/SBD/PBD DOWNLIGHT
APPROVED BY:	APPROVED DATE:	DRAWN BY: REFUGIOR
DATE: 3/26/2020	MATERIAL: MAKE TO ORDER	KURTZON LIGHTING 1420 S TALMAN AVE CHICAGO, IL 60608 WWW.KURTZON.COM
REV: 0	SHEET: 4	

TOLERANCES:
UNITS: INCHES
ANGULAR BEND ± 2°
ANGULAR MACH ± .5°
0.0 ± .05
0.00 ± .030
0.000 ± .015





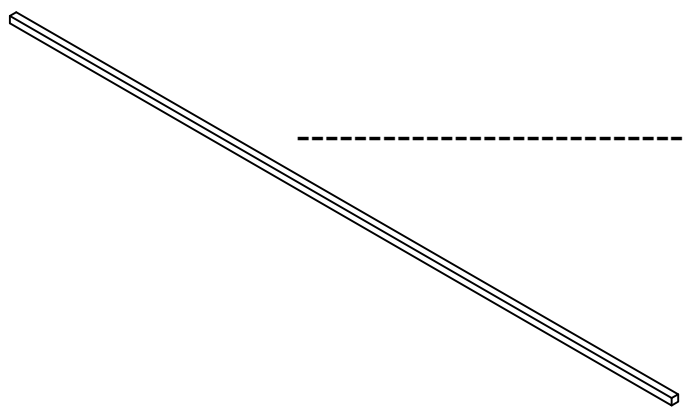
DOOR FRAME ASSEMBLY (1PC)



BRACKET MTG (4 PCS)



SCREW 8-32 X 1/2" PAN HD (8 PCS)



SOLID ALUM BAR 1/4 SQ.X 26" LG. (2 PCS)

This drawing and all information on it, unless otherwise stated, the property of Kurtzon Lighting. Reproduction or retransmission of the materials, in whole or in part, in any manner, is prohibited without the prior written consent of Kurtzon Lighting.

SCALE: DO NOT SCALE	DESCRIPTION: INSTALLATION DETAILS	PART #: IBD/SBD/PBD DOWNLIGHT
	APPROVED BY:	APPROVED DATE:
	DRAWN BY: REFUGIOR	DATE: 3/26/2020
TOLERANCES: UNITS: INCHES ANGULAR BEND ± 2° 0.0 ± .05 0.00 ± .030 0.000 ± .015	MATERIAL: MAKE TO ORDER	KURTZON LIGHTING 1420 S TALMAN AVE CHICAGO, IL 60608 WWW.KURTZON.COM
	REV: 0	SHEET: 5

