

Food Processing Vaportight: FP-SEG-1540-LED-QS

Food Processing 15" x 4' Linear Vaportight LED Luminaire for Surface or Pendant Mounting



- High Lumen Packages, up to 30,000Lm Delivered
- NSF2 Listed for Non-Food, Splash, & Food Zone Non-Contact
- IP65 / IP66 / IP67
- 1500 PSI hosedown
- UL 1598 Wet Location
- Marine grade 316 stainless steel latches & Mounting brackets
- Nema4X
- UL 5VA Rated (will not melt or burn)
- B.A.A. Compliant & Made in the USA by a Family Owned US Corporation
- 5 Day Quick Ship For Orders Under 25 Fixtures
- 3 Day Quick Ship For Orders Under 15 Fixtures



DISCLAIMER: Although KURTZON has prepared the information contained in this document with all due care, KURTZON does not warrant or represent that the information is free from errors or omission. Whilst the information is considered to be true and correct at the date of publication, changes in circumstances after the time of publication may impact on the accuracy of the information. The information may change without notice and KURTZON is not in any way liable for the accuracy of any information printed and stored or in any way interpreted or used.



Not all product variations listed on this page are DLC qualified. Visit <https://www.designlights.org/cqi> to confirm qualification.

ORDERING GUIDE

Series	Lumen Package	CCT	Optics	Voltage	Controls	Mounting	Options	Quick Ship
FP-SEG-1540			CP	UNV	DIM1			
Series	Lumen Package	CCT/CRI	Optics	Voltage	Controls	Mounting (Not Required)	Options (Not Required)	Quick Ship
FP-SEG-1540	2L0 2 Rows of Low Flux LED's	83 CRI: 3500K	CP Clear Polycarbonate	UNV (120-277 Vac)	DIM1 0-10V 1%	V-Hook Mounting Hooks	PxW Program to Specified Wattage (Replace X with Watts)	5DQS (5-Day Quick Ship)
	3L0 3 Rows of Low Flux LED's						835 3500K	PxL Programmed to User Specified Wattage Value.
	4L0 4 Rows of Low Flux LED's	840 4000K					10KV 10KV Surge Protection (one per specified circuit)	
	6L0 6 Rows of Low Flux LED's						EM10 10W Integral Emergency Driver (Specify Voltage & Switching)	
	2HI 2 Rows of High Flux LED's							
	3HI 3 Rows of High Flux LED's							

Ordering Notes, If Applicable

Food Processing Vaportight: FP-SEG-1540-LED-QS

Food Processing 15" x 4' Linear Vaportight LED Luminaire for Surface or Pendant Mounting

SPECIFICATIONS

HOUSING: Injection molded, .125" thick Hole Free White Fiberglass body with sloped top Surface to prevent water accumulation. 5VA Flame Rating

OPTICS: Injection molded Heavy gauge Clear Polycarbonate. Secured by Captive Stainless Steel cables.

REFLECTOR: Standard (92%) High Reflectance white 22 gauge metal. Formed wiring cover for rigidity. Removable without tools or screws.

GASKETS: One piece urethane extruded foam with smooth surface.

LATCHES: Twelve (12) 316 Stainless Steel over-center latches secure lens to housing.

MOUNTING: Provided with (4) mounting brackets for suspending (cables by others). See mounting options for other configurations.

LEDS: Commercially available in a wide variety of Color Temperature (CCT), FLUX, and CRI. Highly efficient and consistent color maintained to 3 SDMC for color critical applications. B50/L70 and compliant with Zhaga recognized hole patterns. Consult factory for LED options or configurations not listed below.

DRIVERS: Standard Universal Voltage Class 2 drivers are 0-10v Dimmable to 1% for most LED configurations. They come with at least 2.5Kv surge protection, have less than 10% THD at max load, Ballast Factor Greater than .95 and are programmable to match specific lumen or wattage requirements. Drivers with higher input voltage ratings are available, consult factory for driver specifications.

INSTALLATION: Suitable for surface or suspending installation onto or under covered ceilings. Two sealed 1/2 inch trade size conduit entry points located at each end. See options for pre-wired whips or cords.

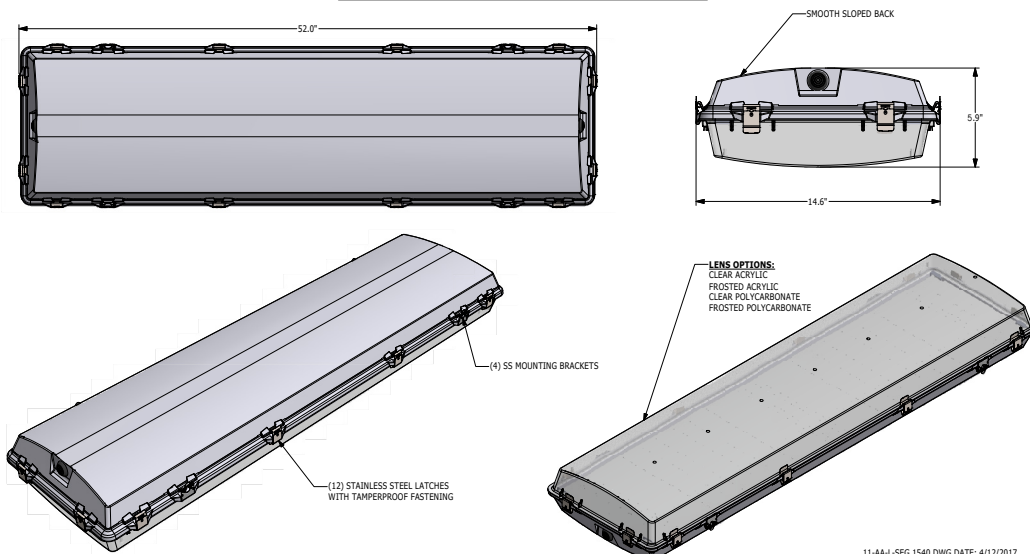
LISTINGS: NSF2 Listed for Non-Food, Splash, and Food Zone Non-Contact.. IP67 rated for dust and water ingress. Suitable for 1500 PSI high pressure hosesdowns. UL listed per UL_1598 for wet locations. Nema 4x rated. Drivers and LEDs are covered by a 5 year warranty, the remaining fixture is covered by a 10 year warranty. DLC Premium and Standard qualified product configurations available. This product is Buy American Act (B.A.A.) compliant.

5-DAY QUICK SHIP POLICY: Quantity restriction of 25 fixtures. Once PO is received by 12:00 PM CST, shipping will occur within 5 business days. Standard freight applies. Expedited shipping to be paid by customer.

3-DAY QUICK SHIP POLICY: Quantity restriction of 15 fixtures. Once PO is received by 12:00 PM CST, shipping will occur within 3 business days. Standard freight applies. Expedited shipping to be paid by customer.

PRODUCT DRAWINGS

SEG 1540 REFERENCE DIMENSIONS



Food Processing Vaportight: FP-SEG-1540-LED-QS

Food Processing 15" x 4' Linear Vaportight LED Luminaire for Surface or Pendant Mounting

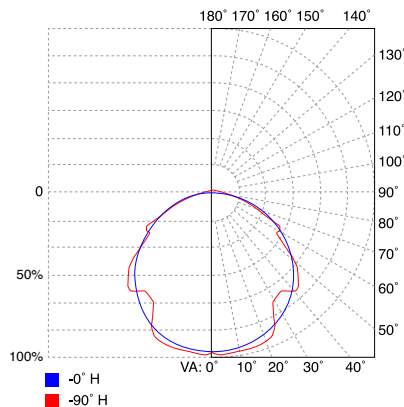
ENERGY DATA

STD SEG 1540 (APPROX ¹ DELIVERED LUMENS)								
ENCLOSURE SIZE	LED PACKAGE	CRI	DIMMING SELECTION	CLEAR LENS			AMBIENT TEMP	
				LUMENS ¹	WATTS ²	EFFICACY ³ (Lm/W)	MINIMUM	MAXIMUM ⁴
1540	2 LO	83	0-10V 1%	7,625	55	139	-20°C (-4°F)	40°C (104°F)
1540	3 LO	83	0-10V 1%	11,430	82	139	-20°C (-4°F)	40°C (104°F)
1540	4 LO	83	0-10V 1%	15,250	110	139	-20°C (-4°F)	40°C (104°F)
1540	6 LO	83	0-10V 1%	22,875	164	139	-20°C (-4°F)	35°C (95°F)
1540	2 HI	83	0-10V 1%	20,590	153	135	-20°C (-4°F)	35°C (95°F)
1540	3 HI	83	0-10V 1%	30,890	229	135	-20°C (-4°F)	35°C (95°F)
1540	EM10 ⁵	NA	NA	1100-1390	4	NA	0°C (32°F)	35°C (95°F)

- ¹ DELIVERED LUMEN DATA IS EXTRAPOLATED FROM MEASURED DATA @ 25C WITH NO EXTRA OPTIONS. VARIANCES WILL OCCUR WHEN OPTIONS ARE CHOSEN
- ² WATTAGE IS MEASURED WITH 4000K SELECTION @ 120VAC AND Tambient = 25C. WATTAGES MAY VARY WITH ALTERNATE CONFIGURATIONS
- ³ EFFICACY CALCULATED USING 4000K CCT DATA.
- ⁴ TEMP RATING MAY VARY WITH SPECIFIED DRIVERS OR ANY NON STANDARD SELECTION
- ⁵ 90 MINUTE 10W EMERGENCY DRIVER; LUMENS CALCULATED BASED ON FIXTURE EFFICACY. (EX: 10W x 100Lm/W = 1000Lm Delivered)

PHOTOMETRICS

CP Optics

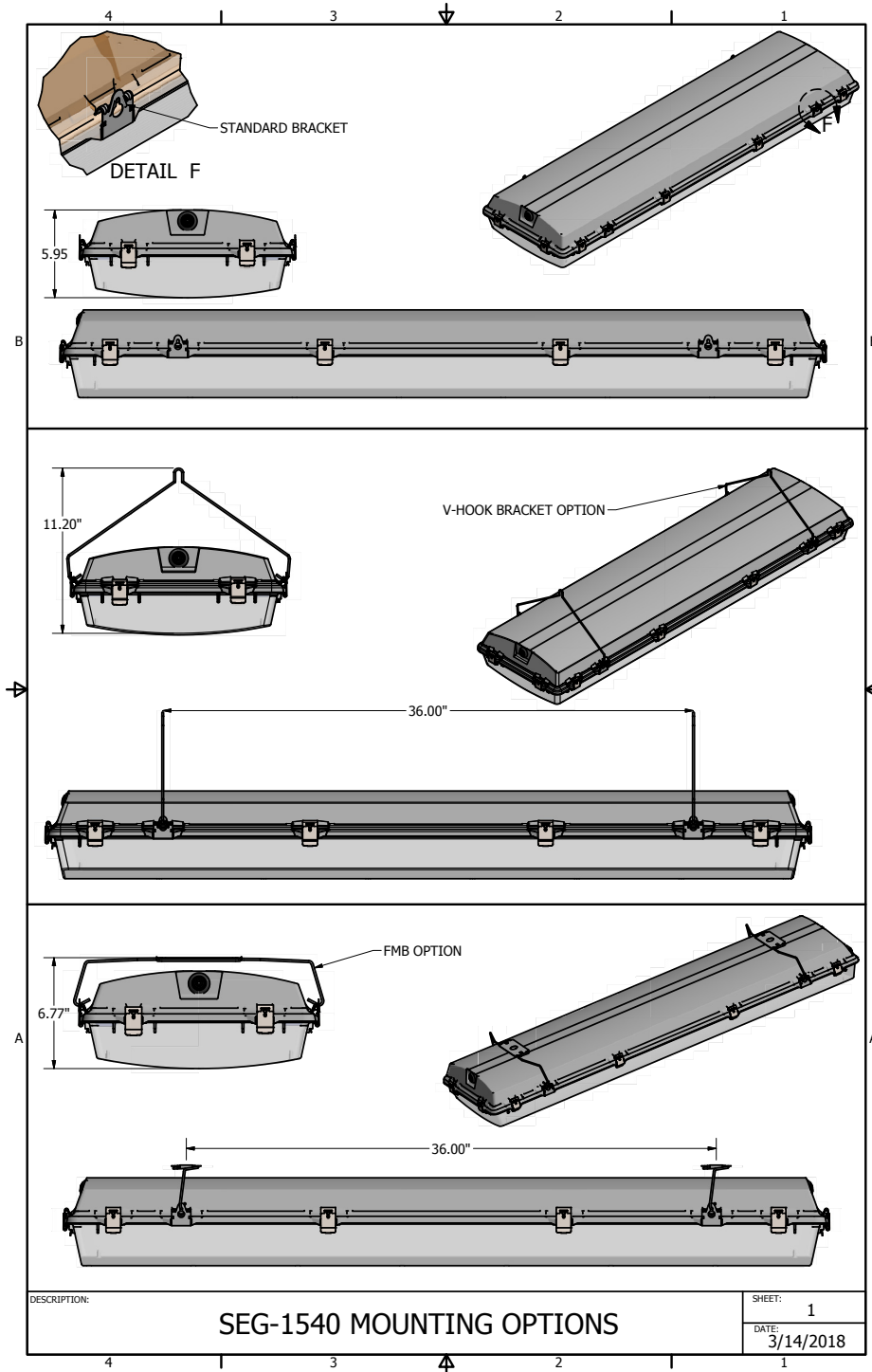


Food Processing Vaportight: FP-SEG-1540-LED-609QS

Food Processing 15" x 4' Linear Vaportight LED Luminaire for Surface or Pendant Mounting

MOUNTING OPTIONS

Note: Not all mounting options may be available for 5 Day Quick Ship.



Food Processing Vaportight: FP-SEG-1540-LED-619QS

Food Processing 15" x 4' Linear Vaportight LED Luminaire for Surface or Pendant Mounting

MOUNTING OPTIONS

Note: Not all mounting options may be available for 5 Day Quick Ship.

