

Food Processing Vaportight: FP-SEG-740-LED-QS

Food Processing 7" x 4' Linear Vaportight LED Luminaire for Surface or Pendant Mounting

- NSF2 Listed for Non-Food, Splash, and Food Zone Non-Contact
- IP65 / IP66 / IP67
- 1500 PSI hosedown
- UL 1598 Wet Location
- Marine grade 316 stainless steel latches & Mounting brackets
- Nema4X
- UL 5VA Rated (will not melt or burn)
- Polycarbonate Lens: Clear / Frosted
- B.A.A. Compliant & Made in the USA by a Family Owned US Corporation
- 5 Day Quick Ship For Orders Under 25 Fixtures
- 3 Day Quick Ship For Orders Under 15 Fixtures



DISCLAIMER: Although KURTZON has prepared the information contained in this document with all due care, KURTZON does not warrant or represent that the information is free from errors or omission. Whilst the information is considered to be true and correct at the date of publication, changes in circumstances after the time of publication may impact on the accuracy of the information. The information may change without notice and KURTZON is not in any way liable for the accuracy of any information printed and stored or in any way interpreted or used.



ORDERING GUIDE

Series	Lumen Package	CCT/CRI	Optics	Voltage	Controls	Mounting	Options	Quick Ship
FP-SEG-740			CP	UNV	DIM1			
Series	Lumen Package	CCT/CRI	Optics	Voltage	Controls	Mounting	Options	Quick Ship
FP-SEG-740	1L0 1 Row of Low Flux LED's	83 CRI:	CP Clear Polycarbonate	UNV (120-277 Vac)	DIM1 0-10V 1%	CMH Chain Mtg Hooks	PxW Program to Specified Wattage (Replace X with Watts)	5DQS (5-Day Quick Ship)
	2L0 2 Rows of Low Flux LED's	835 3500K					PxL Program to Specified Lumens (Replace X with Lumens)	3DQS (3-Day Quick Ship)
		840 4000K					10KV 10KV Surge Protection (one per specified circuit)	
							EM10 10W Integral Emergency Driver (Specify Voltage & Switching)	

Ordering Notes, If Applicable

Food Processing Vaportight: FP-SEG-740-LED-QS

Food Processing 7" x 4' Linear Vaportight LED Luminaire for Surface or Pendant Mounting

SPECIFICATIONS

HOUSING: Injection molded, .125" thick Hole Free White Fiberglass body with a 5VA Flame Rating

OPTICS: Injection molded Heavy gauge smooth clear polycarbonate.

REFLECTOR: Standard (92%) High Reflectance white 22 gauge metal. Formed wiring cover for rigidity. Removable without tools or screws.

GASKETS: One piece urethane extruded foam with smooth surface.

LATCHES: Eight (8) 316 Stainless Steel over-center latches secure lens to housing.

MOUNTING: Provided with (2) mounting brackets for suspending (cables by others). See mounting options for other configurations.

LEDS: Commercially available in a wide variety of Color Temperature (CCT), FLUX, and CRI. Highly efficient and consistent color maintained to 3 SDMC for color critical applications. B50/L70 and compliant with Zhaga recognized hole patterns. Consult factory for LED options or configurations not listed below.

DRIVERS: Standard Universal Voltage Class 2 drivers are 0-10v Dimmable to 1% for most LED configurations. They come with at least 2.5Kv surge protection, have less than 10% THD at max load, Ballast Factor Greater than .95 and are programmable to match specific lumen or wattage requirements. Drivers with higher input voltage ratings are available, consult factory for driver specifications.

INSTALLATION: Suitable for surface or suspending installation onto or under covered ceilings. Two sealed 1/2 inch trade size conduit entry points located at each end.

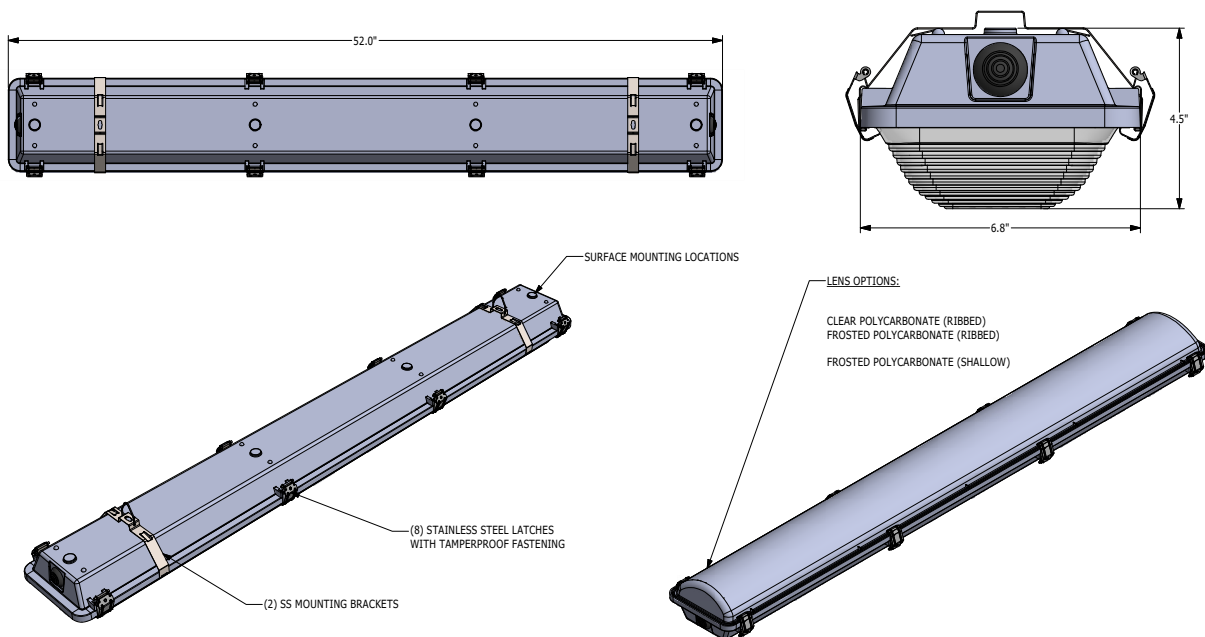
LISTINGS: NSF2 Listed for Non-Food, Splash, and Food Zone Non-Contact. IP67 rated for dust and water ingress. Suitable for 1500 PSI high pressure hosedowns. UL listed per UL_1598 for wet locations. Nema 4x rated. Drivers and LEDs are covered by a 5 year warranty, the remaining fixture is covered by a 10 year warranty. This product is Buy American Act (B.A.A.) compliant.

5-DAY QUICK SHIP POLICY: Quantity restriction of 25 fixtures. Once PO is received by 12:00 PM CST, shipping will occur within 5 business days. Standard freight applies. Expedited shipping to be paid by customer.

3-DAY QUICK SHIP POLICY: Quantity restriction of 15 fixtures. Once PO is received by 12:00 PM CST, shipping will occur within 3 business days. Standard freight applies. Expedited shipping to be paid by customer.

PRODUCT DRAWINGS

SEG 740 REFERENCE DIMENSIONS



11-CA-L-SEG 740 DWG DATE: 4/18/2017

Food Processing Vaportight: FP-SEG-740-LED-QS

Food Processing 7" x 4' Linear Vaportight LED Luminaire for Surface or Pendant Mounting

ENERGY DATA

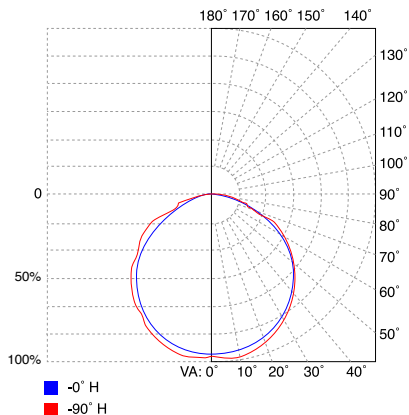
STD SEG 740 (APROX ¹ DELIVERED LUMENS)									
ENCLOSURE SIZE	LED PACKAGE	DIMMING SELECTION	CRI	CLEAR LENS			AMBIENT TEMP		
				LUMENS ¹	WATTS ²	EFFICACY ³ (Lm/W)	MINIMUM	MAXIMUM ⁴	
740	1 LO	0-10V 1%	83	3,890	29	134	-20°C (-4°F)	35°C (95°F)	
740	2 LO	0-10V 1%	83	7,788	55	142	-20°C (-4°F)	35°C (95°F)	
740	EM10 ⁵	NA	NA	1000-1300	4	NA	0°C (32°F)	35°C (95°F)	

DELIVERED LUMEN DATA IS EXTRAPOLATED FROM MEASURED DATA @25C WITH NO EXTRA OPTIONS. VARIANCES WILL OCCUR WHEN

- ¹ OPTIONS ARE CHOSEN
- WATTAGE IS MEASURED WITH 4000K SELECTION @ 120vAC AND Tambient = 25C. WATTAGES MAY VARY WITH ALTERNATE
- ² CONFIGURATIONS
- ³ EFFICACY CALCULATED USING 4000K CCT DATA.
- ⁴ TEMP RATING MAY VARY WITH SPECIFIED DRIVERS OR ANY NON STANDARD SELECTION
- ⁵ 90 MINUTE 10W EMERGENCY DRIVER; LUMENS CALCULATED BASED ON FIXTURE EFFICACY. (EX: 10W x 100Lm/W = 1000Lm Delivered)

PHOTOMETRICS

CP Optics

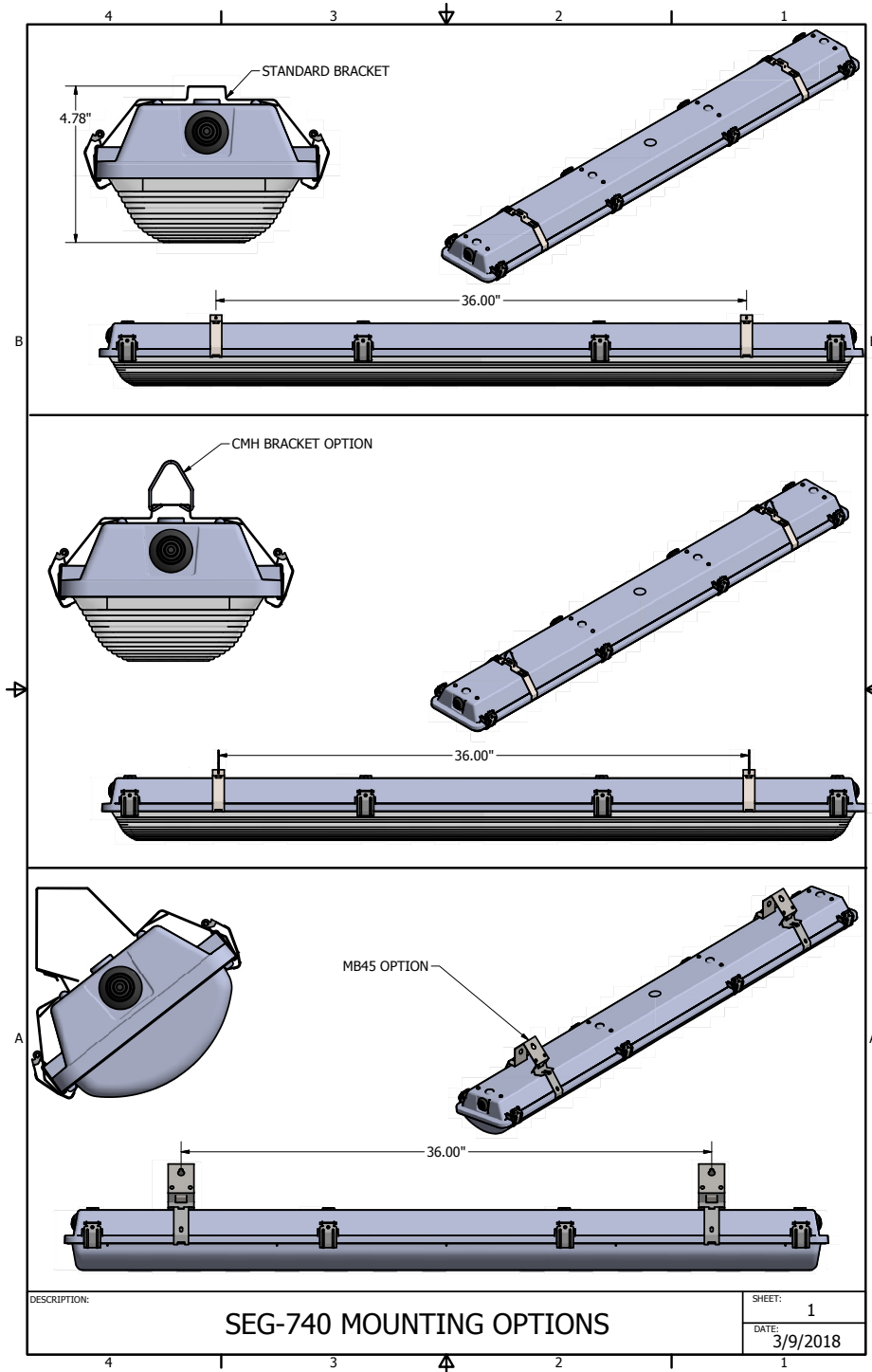


Food Processing Vaportight: FP-SEG-740-LED-600QS

Food Processing 7" x 4' Linear Vaportight LED Luminaire for Surface or Pendant Mounting

MOUNTING OPTIONS

Note: Not all mounting options may be available for 5 Day Quick Ship.



Food Processing Vaportight: FP-SEG-740-LED-60S QS

Food Processing 7" x 4' Linear Vaportight LED Luminaire for Surface or Pendant Mounting

MOUNTING OPTIONS

Note: Not all mounting options may be available for 5 Day Quick Ship.

