

Cleanroom KL-SBD Series-QS

Sealed 6" Aperture Recessed LED Downlight for Cleanroom Installations.



- **IP65 Rated**
- **Suitable for ISO 5-9 Cleanspaces**
- **Suitable for 209E Class 100-100,000 Cleanspaces**
- **ETL Listed for Wet Locations**
- **Built to NSF2 Standards**
- **Up to 3,400 Lumens Delivered**
- **B.A.A. Compliant & Made in the USA by a Family Owned US Corporation**
- **5 Day Quick Ship For Orders Under 25 Fixtures**
- **3 Day Quick Ship For Orders Under 15 Fixtures**



DISCLAIMER: Although KURTZON has prepared the information contained in this document with all due care, KURTZON does not warrant or represent that the information is free from errors or omission. Whilst the information is considered to be true and correct at the date of publication, changes in circumstances after the time of publication may impact on the accuracy of the information. The information may change without notice and KURTZON is not in any way liable for the accuracy of any information printed and stored or in any way interpreted or used.

ORDERING GUIDE

| Series | Material | Size | LED Type | CCT/CRI | Voltage | Baffle | Door (Trim) | Options | Quick Ship |
|---------------|-----------------------|---------------------|-----------------------------|------------------|----------------------|--------------------------------|-----------------------------------|---|--------------------------------|
| KL-SBD | 4 | 8 | | 840 | UNV | | | | |
| Series | Material | Size | LED Type | CCT/CRI | Voltage | Baffle | Door (Trim) Finish | Options | Quick Ship |
| KL-SBD | 4 Non-Magnetic | 8 8" Housing | DLM15 1500Lm Package | 83 CRI: | UNV 120V-277V | WB White Grooved Baffle | WT White Painted Trim | 10KV 10KV Parallel Surge Protection | 5DQS (5-Day Quick Ship) |
| | | | DLM20 2000Lm Package | 840 4000K | | SR Specular Reflector | ST Polished Stainless Trim | EM7 Remote Mount 7W Battery Pack (Specify Input Voltage) | 3DQS (3-Day Quick Ship) |
| | | | DLM30 3000Lm Package | | | | | | |

Ordering Notes, If Applicable

Cleanroom KL-SBD Series-QS

Sealed 6" Aperture Recessed LED Downlight for Cleanroom Installations.

SPECIFICATIONS

HOUSING: Stainless steel body and spun aluminum housing and plaster frame.

DOOR FRAME: Aluminum or stainless steel formed with continuous lens hold-down system and screwless entry. Cleanroom style construction with a smooth cleanable surface with no crevices.

GASKETS: One piece gasket located at interface of door to housing silicone seals the door to the lens. GG option provides a loose 1/8" thick adhesive backed gasket intended to adhere to the top face of a suspended grid ceiling for grid profiles that do not already have gasket on them.

REFLECTOR: Supplied with a wide variety of baffles and reflectors. See options for availability.

OPTICS: Clear non-prismatic nominal 1/8" thick polycarbonate lens is standard and will be mechanically secured and silicone sealed to door frame.

LED: LEDs are 80 CRI, 4000K CCT and are Available in different lumen outputs up to 3400 Lm delivered. Integrated heatsink maintains thermal efficiency and prolong the life of the light engine.

ELECTRICAL: Integrated constant current static low voltage DC commercially available driver designed specifically for LED array. Driver has 0-10V dimming control to 1%.

INSTALLATION: Four adjustable L-brackets allow for seismic support and secure attachment to metal T-Bars, joists or structural metal framing. Sealed 1/2 inch trade size knockouts for wiring. Suitable for 1, 1.5 and 2 inch T-bar widths as well as drywall or plaster ceilings. Suitable for NON-IC installation.

FINISH: Antimicrobial white polyester powder coat on doorframe surface. Stainless steel trims are satin polished.

LISTINGS: ETL Listed for Wet Locations. Suitable for non-IC installation. IP-65 dust and water jet resistance. IBEW Union Label. Certified ISO-14644-1 classes 5 to 9 Fed. Std. 209E Class 100.

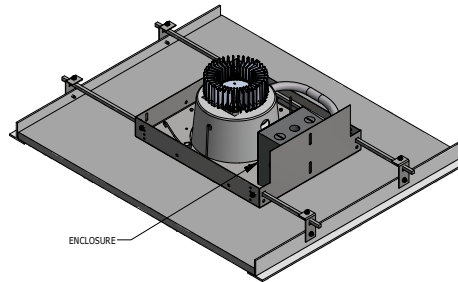
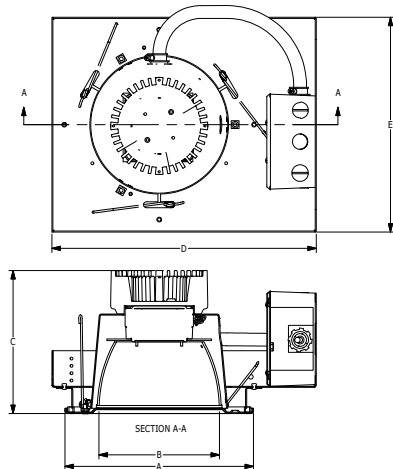
5/10 YEAR WARRANTY: The driver(s), LED's and EM packs are covered by a five (5) year warranty. The remaining fixture is covered by a ten (10) year warranty. See warranty statement at kurtzon.com for complete details. This product is Buy American Act (B.A.A.) compliant.

5-DAY QUICK SHIP POLICY: Quantity restriction of 25 fixtures. Once PO is received by 12:00 PM CST, shipping will occur within 5 business days. Standard freight applies. Expedited shipping to be paid by customer.

3-DAY QUICK SHIP POLICY: Quantity restriction of 15 fixtures. Once PO is received by 12:00 PM CST, shipping will occur within 3 business days. Standard freight applies. Expedited shipping to be paid by customer.

PRODUCT DRAWINGS

| DOWNLIGHT REFERENCE DIMENSIONS | | | | | | |
|--------------------------------|-------|-------|-------|--------|--------|--------|
| MODEL | DIM A | DIM B | DIM C | DIM D | DIM E | DIM F |
| SBD/TBD | 9.00" | 5.75" | 6.85" | 12.65" | 10.25" | 26.00" |



12-AA-L-DOWNLIGHT DWG DATE: 4/11/2107

Cleanroom KL-SBD Series-QS

Sealed 6" Aperture Recessed LED Downlight for Cleanroom Installations.

ENERGY DATA

| SEALED LED DOWNLIGHT | | | | | | |
|----------------------|-----|------------------------------------|--------------------------|-----------------|----------------------|------------------------------------|
| LIGHT PACKAGE | CRI | DELIVERED LUMENS (Lm) ¹ | WATTAGE (W) ² | EFFICACY (LM/W) | DIMMING AVAILABILITY | MAX AMBIENT TEMP (°C) ³ |
| DLM15 | 80+ | 1,536 | 18 | 85.3 | 0-10V 1% | 40°C (104°F) |
| DLM20 | 80+ | 2,117 | 21 | 100.8 | 0-10V 1% | 40°C (104°F) |
| DLM30 | 80+ | 3,454 | 42 | 82.2 | 0-10V 1% | 40°C (104°F) |
| EM7 | NA | 440-570Lm | 4 | NA | 0-10V 1% | 35°C (95°F) |

- 1: DELIVERED LUMEN DATA IS EXTRAPOLATED FROM MEASURED DATA @25C WITH NO EXTRA OPTIONS.
- 2: WATTAGE IS MEASURED @ 120vAC AND Tambient = 25C. WATTAGES MAY VARY AND WHEN OPTIONS ARE SELECTED
- 3: MAX TEMP RATING IS WITH NO OTHER OPTIONS SELECTED.(NON-IC)

PHOTOMETRICS

CLEAR FLAT LENS

