

Medical MRI Downlight: ML-IBD-LED-QS

Non-Magnetic Sealed 6" Aperture LED Recessed Downlight



- **Non-Ferrous Construction for use in MRI Suites**
- **IP65 Rated**
- **Available Entrance Filters for MRI Compatibility**
- **Each Fixture Supplied With Remote Mounted Driver**
- **B.A.A. Compliant & Made in the USA by a Family Owned US Corporation**
- **5 Day Quick Ship For Orders Under 25 Fixtures**
- **3 Day Quick Ship For Orders Under 15 Fixtures**



DISCLAIMER: Although KURTZON has prepared the information contained in this document with all due care, KURTZON does not warrant or represent that the information is free from errors or omission. Whilst the information is considered to be true and correct at the date of publication, changes in circumstances after the time of publication may impact on the accuracy of the information. The information may change without notice and KURTZON is not in any way liable for the accuracy of any information printed and stored or in any way interpreted or used.

ORDERING GUIDE

Series	Material	Size	LED Type	CCT/CRI	Voltage	Baffle	Door (Trim)	Options	Quick Ship		
ML-IBD	4	8		840	UNV						
Series	Material	Size	Light Source		Voltage	Baffle	Door (Trim) Finish	Options	Quick Ship		
			LED Type	CCT/CRI							
ML-IBD	4 Non-Magnetic	8 8" Housing	DLM15 1500LM Package	80 CRI	UNV 120V-277V	WB White Grooved Baffle	WT White Painted Trim	10KV 10KV Parallel Surge Protection (One Supplied Per Circuit)	5DQS (5-Day Quick Ship)		
			DLM20 2000LM Package	840 4000K				SR Specular Reflector	ST Polished Stainless Trim	EM7 Remote Mount 7W Battery Pack (Specify Input Voltage)	3DQS (3-Day Quick Ship)
			DLM30 3000LM Package							Required Accessories Ordered Separately	
								MRIF3 Three circuit filter for 3 fixtures			
								MRIF6 Six circuit filter for 6 fixtures			
								MRIF9 Nine circuit filter for 9 fixtures			

Ordering Notes, If Applicable

Medical MRI Downlight: ML-IBD-LED-QS

Non-Magnetic Sealed 6" Aperture LED Recessed Downlight

SPECIFICATIONS

HOUSING: Non-magnetic stainless steel body and spun aluminum housing and plaster frame. All hardware and components are not magnetic.

DOOR FRAME: Aluminum or stainless steel formed with continuous lens hold-down system and screwless entry. Cleanroom style construction with a smooth cleanable surface with no crevices.

GASKETS: Closed microcellular extruded gasket located at interface of door to housing. Silicone seals the lens to the door.

BAFFLE: Supplied with a wide variety of baffles and reflectors. See options for availability.

OPTICS: Clear non-prismatic nominal 1/8" thick polycarbonate lens is standard and will be mechanically secured and silicone sealed to door frame.

LED: LEDs are 80 CRI, 4000K CCT and are Available in different lumen outputs up to 3400 Lm delivered. Integrated heatsink maintains thermal efficiency and prolong the life of the light engine.

ELECTRICAL: Constant current static low voltage DC provided from included remote driver. Drivers are 0-10v dimming standard as 1% and are supplied with the fixtures in an remote enclosure. Proprietary MRI Entrance filters comply with MIL-461 for conducted emissions and must be purchased separately.

INSTALLATION: Suitable for recessed Non-IC Installations into covered ceilings. Adjustable brackets allow for seismic support and secure attachment to metal T-Bars, joists or structural metal framing. Sealed 1/2 inch trade size knockouts for wiring. Suitable for 1, 1.5 and 2 inch T-bar widths as well as drywall or plaster ceiling.

FINISH: Antimicrobial white polyester powder coat on doorframe surface. Stainless steel trims are satin polished.

LISTINGS: IP65 rated for dust and water ingress. ETL listed per UL_1598 for wet locations. Military Standard 461F compliant for conducted and radiated emissions. Non-Magnetic construction. Drivers and LEDs are covered by a 5 year warranty, the remaining fixture is covered by a 10

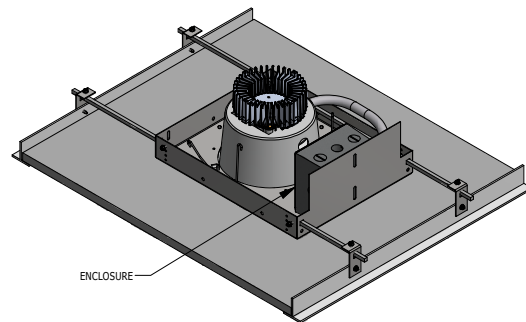
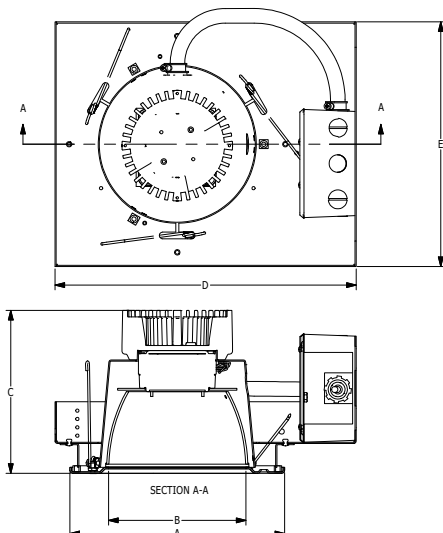
year warranty. This product is Buy American Act (B.A.A.) compliant.

5-DAY QUICK SHIP POLICY: Quantity restriction of 25 fixtures. Once PO is received by 12:00 PM CST, shipping will occur within 5 business days. Standard freight applies. Expedited shipping to be paid by customer.

3-DAY QUICK SHIP POLICY: Quantity restriction of 15 fixtures. Once PO is received by 12:00 PM CST, shipping will occur within 3 business days. Standard freight applies. Expedited shipping to be paid by customer.

PRODUCT DRAWINGS

DOWNLIGHT REFERENCE DIMENSIONS						
MODEL	DIM A	DIM B	DIM C	DIM D	DIM E	DIM F
SBD/IBD	9.00"	5.75"	6.85"	12.65"	10.25"	26.00"



12-AA-L-DOWNLIGHT DWG DATE: 4/11/2107

Medical MRI Downlight: ML-IBD-LED-QS

Non-Magnetic Sealed 6" Aperture LED Recessed Downlight

ENERGY DATA

SEALED LED DOWNLIGHT						
LIGHT PACKAGE	CRI	DELIVERED LUMENS (Lm) ¹	WATTAGE (W) ²	EFFICACY (LM/W)	DIMMING AVAILABILITY	MAX AMBIENT TEMP (°C) ³
DLM15	80+	1,536	18	85.3	0-10V 1%	40°C (104°F)
DLM20	80+	2,117	21	100.8	0-10V 1%	40°C (104°F)
DLM30	80+	3,454	42	82.2	0-10V 1%	40°C (104°F)
EM7	NA	440-570Lm	4	NA	0-10V 1%	35°C (95°F)

- 1: DELIVERED LUMEN DATA IS EXTRAPOLATED FROM MEASURED DATA @25C WITH NO EXTRA OPTIONS.
- 2: WATTAGE IS MEASURED @ 120vAC AND Tambient = 25C. WATTAGES MAY VARY AND WHEN OPTIONS ARE SELECTED
- 3: MAX TEMP RATING IS WITH NO OTHER OPTIONS SELECTED.(NON-IC)

PHOTOMETRICS

CLEAR LENS

Key:

- 0
- - - - - 45
- 90

