

Wet Location Vaportight: WL-SEG-740-LED-QS

Wet Location 7" x 4' Linear Vaportight LED Luminaire for Surface or Pendant Mounting



- IP65 / IP66 / IP67
- 1500 PSI hosedown
- UL 1598 Wet Location
- Marine grade 316 stainless steel latches & Mounting brackets
- Nema4X
- UL 5VA Rated (will not melt or burn)
- Provided with clear Polycarbonate Lensing
- B.A.A. Compliant & Made in the USA by a Family Owned US Corporation
- 5 Day Quick Ship For Orders Under 25 Fixtures
- 3 Day Quick Ship For Orders Under 15 Fixtures



DISCLAIMER: Although KURTZON has prepared the information contained in this document with all due care, KURTZON does not warrant or represent that the information is free from errors or omission. Whilst the information is considered to be true and correct at the date of publication, changes in circumstances after the time of publication may impact on the accuracy of the information. The information may change without notice and KURTZON is not in any way liable for the accuracy of any information printed and stored or in any way interpreted or used.

ORDERING GUIDE

Series	Lumen Package	CCT/CRI	Optics	Voltage	Controls	Mounting (Not Required)	Options	Quick Ship
WL-SEG-740			CP	UNV	DIM1			
Series	Lumen Package	CCT/CRI	Optics	Voltage	Controls	Mounting (Not Required)	Options	Quick Ship
WL-SEG-740	1L0 1 Row of Low Flux LED's	83 CRI:	CP Clear Polycarbonate	UNV (120-277 Vac)	DIM1 0-10V 1%	CMH Chain Mtg Hooks	EM10 10W Integral LED EM (Specify Input Voltage)	5D0S (5-Day Quick Ship)
	2L0 2 Rows of Low Flux LED's	835 3500K					PxL Programmed to User Specified Lumen Value	3D0S (3-Day Quick Ship)
		840 4000K					PxW Programmed to User Specified Lumen Value	
						10KV 10KV Parallel Surge Protection (1 Supplied Per Circuit)		

Ordering Notes, If Applicable

Wet Location Vaportight: WL-SEG-740-LED-QS

Wet Location 7" x 4' Linear Vaportight LED Luminaire for Surface or Pendant Mounting

SPECIFICATIONS

HOUSING: Injection molded, .125" thick Hole Free White Fiberglass body with a 5VA Flame Rating.

OPTICS: Injection molded Heavy gauge smooth clear polycarbonate.

REFLECTOR: Standard (92%) High Reflectance white 22 gauge metal. Formed wiring cover for rigidity. Removable without tools or screws.

GASKETS: One piece urethane extruded foam with smooth surface.

LATCHES: Eight (8) 316 Stainless Steel over-center latches secure lens to housing

MOUNTING: Provided with (2) mounting brackets for suspending (cables by others). See mounting options for other configurations.

LEDS: Commercially available in a wide variety of Color Temperature (CCT), FLUX, and CRI. Highly efficient and consistent color maintained to 3 SDMC for color critical applications. B50/L70 and compliant with Zhaga recognized hole patterns. Consult factory for LED options or configurations not listed below.

DRIVERS: Standard Universal Voltage Class 2 drivers are 0-10v Dimmable to 1% for most LED configurations. They come with at least 2.5Kv surge protection, have less than 10% THD at max load, Ballast Factor Greater than .95 and are programmable to match specific lumen or wattage requirements. Drivers with higher input voltage ratings are available, consult factory for driver specifications.

INSTALLATION: Suitable for surface or suspended installation onto or under covered ceilings. Two sealed 1/2" trade size conduit entry points located at ends. See options for pre-wired whips or cords.

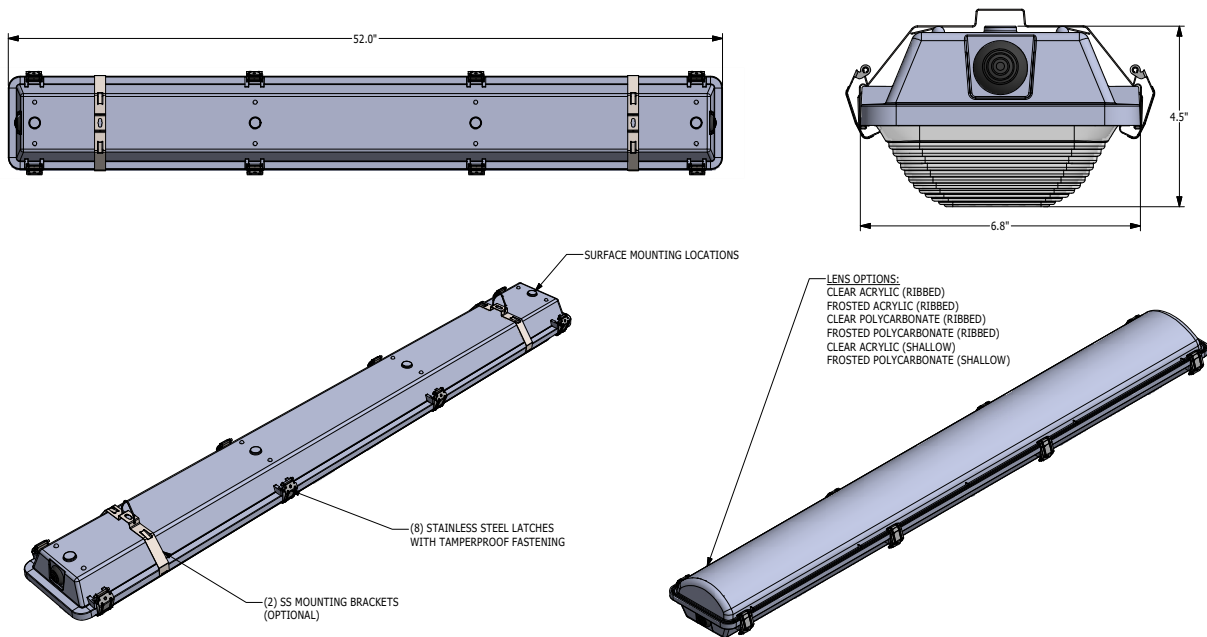
LISTINGS: IP67 rated for dust and water ingress. Suitable for 1500 PSI high pressure hosedowns. UL listed per UL_1598 for wet locations. Nema 4x rated Drivers and LEDs are covered by a 5 year warranty, the remaining fixture is covered by a 10 year warranty. This product is Buy American Act (B.A.A.) compliant.

5-DAY QUICK SHIP POLICY: Quantity restriction of 25 fixtures. Once PO is received by 12:00 PM CST, shipping will occur within 5 business days. Standard freight applies. Expedited shipping to be paid by customer.

3-DAY QUICK SHIP POLICY: Quantity restriction of 15 fixtures. Once PO is received by 12:00 PM CST, shipping will occur within 3 business days. Standard freight applies. Expedited shipping to be paid by customer.

PRODUCT DRAWINGS

SEG 740 REFERENCE DIMENSIONS



11-CA-L-SEG 740 DWG DATE: 4/18/2017

Wet Location Vaportight: WL-SEG-740-LED-QS

Wet Location 7" x 4' Linear Vaportight LED Luminaire for Surface or Pendant Mounting

ENERGY DATA

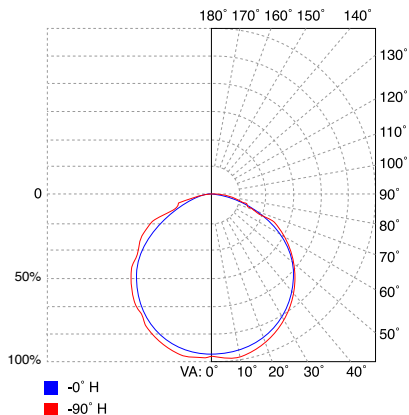
STD SEG 740 (APROX ¹ DELIVERED LUMENS)									
ENCLOSURE SIZE	LED PACKAGE	DIMMING SELECTION	CRI	CLEAR LENS			AMBIENT TEMP		
				LUMENS ¹	WATTS ²	EFFICACY ³ (Lm/W)	MINIMUM	MAXIMUM ⁴	
740	1 LO	0-10V 1%	83	3,890	29	134	-20°C (-4°F)	35°C (95°F)	
740	2 LO	0-10V 1%	83	7,788	55	142	-20°C (-4°F)	35°C (95°F)	
740	EM10 ⁵	NA	NA	1000-1300	4	NA	0°C (32°F)	35°C (95°F)	

DELIVERED LUMEN DATA IS EXTRAPOLATED FROM MEASURED DATA @25C WITH NO EXTRA OPTIONS. VARIANCES WILL OCCUR WHEN

- ¹ OPTIONS ARE CHOSEN
- ² WATTAGE IS MEASURED WITH 4000K SELECTION @ 120vAC AND Tambient = 25C. WATTAGES MAY VARY WITH ALTERNATE CONFIGURATIONS
- ³ EFFICACY CALCULATED USING 4000K CCT DATA.
- ⁴ TEMP RATING MAY VARY WITH SPECIFIED DRIVERS OR ANY NON STANDARD SELECTION
- ⁵ 90 MINUTE 10W EMERGENCY DRIVER; LUMENS CALCULATED BASED ON FIXTURE EFFICACY. (EX: 10W x 100Lm/W = 1000Lm Delivered)

PHOTOMETRICS

CP Optics

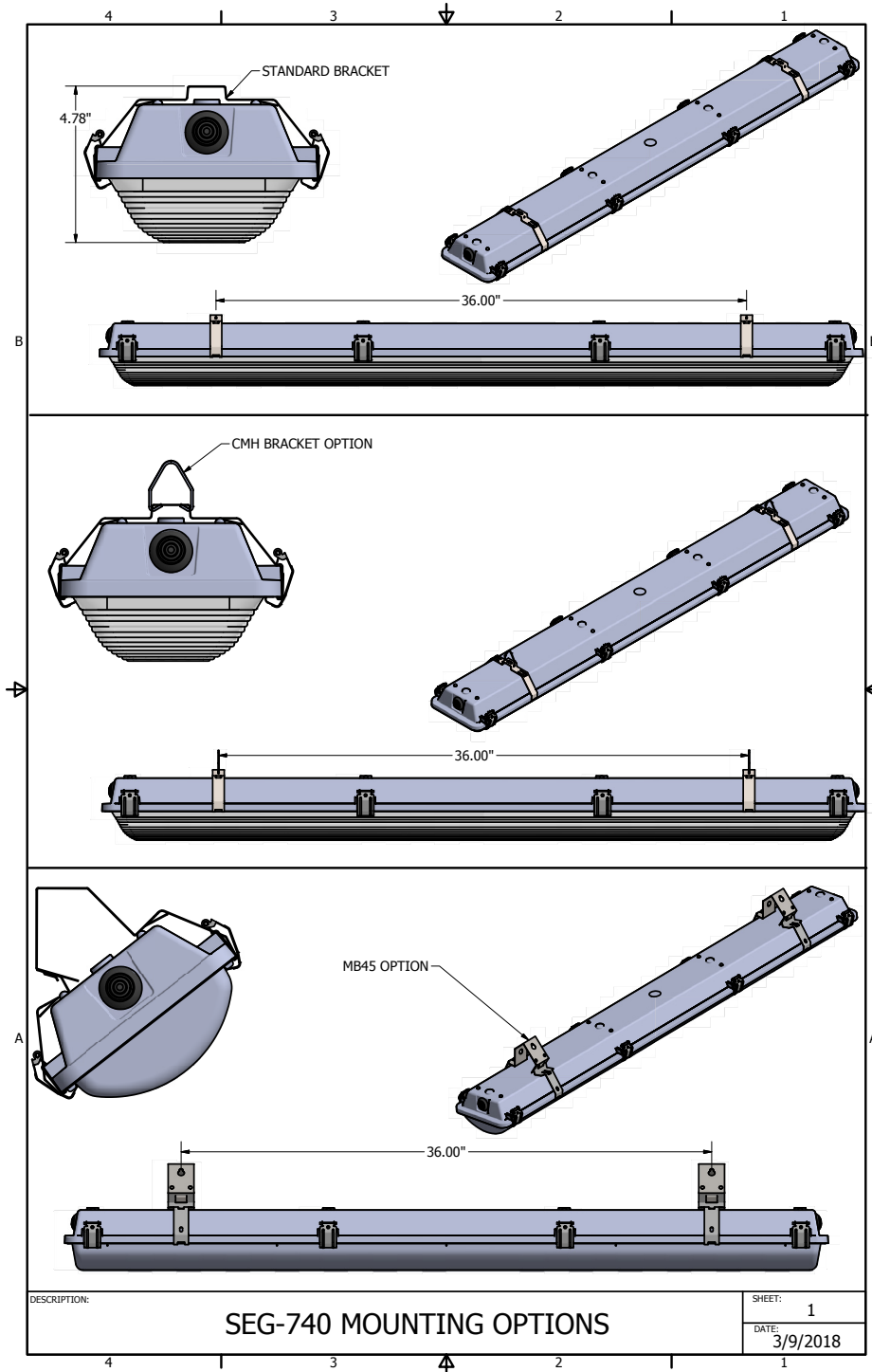


Wet Location Vaportight: WL-SEG-740-LED-QS

Wet Location 7" x 4' Linear Vaportight LED Luminaire for Surface or Pendant Mounting

MOUNTING OPTIONS

Note: Not all mounting options may be available for 5 Day Quick Ship.



Wet Location Vaportight: WL-SEG-740-LED-QS

Wet Location 7" x 4' Linear Vaportight LED Luminaire for Surface or Pendant Mounting

MOUNTING OPTIONS

